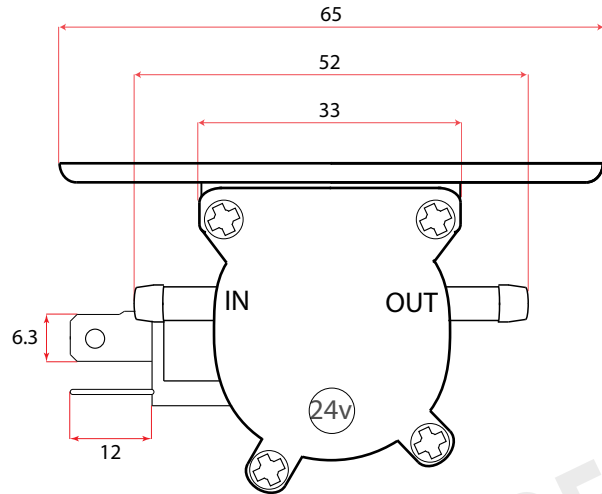
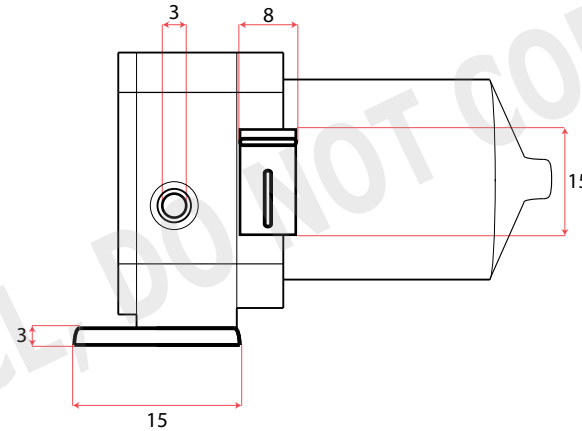


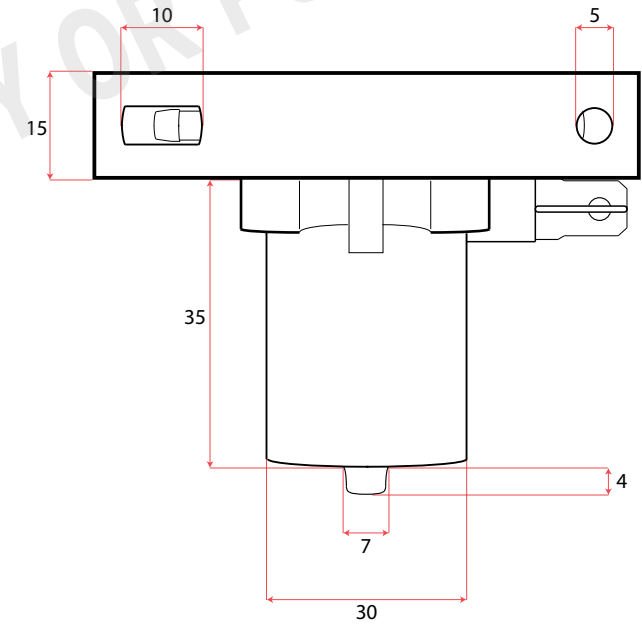
FRONT VIEW



SIDE VIEW



BOTTOM VIEW



+ / - 5% All Dimensions In MM

<b>Part Number</b>	<b>03-002</b>
Voltage	24v
Operating Current	3.5A
Discharge Pressure (kPa)	120
Discharge Pressure (BAR)	1.2
Flow Rate (with jet)	160ml/10 seconds
Operating Environment	-30°C~+85°C
Weight	72g



**CurrentCareLtd**

Marlborough Works, Marlborough Road, Accrington, BB5 5BE

Tel: +44 (0) 1254 300 730 Fax: +44 (0) 1254 237432

e-mail: sales@currentcare.co.uk

© **Copyright CurrentCare Ltd 2020**

All Measurements And Specifications Are Accurate + / - 5%

Some Specifications May Vary / Change Without Prior Notice